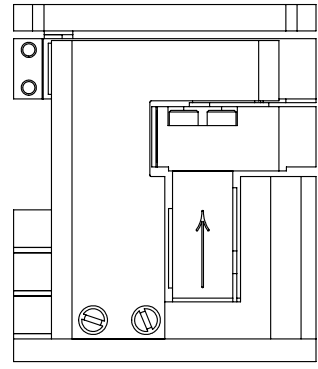
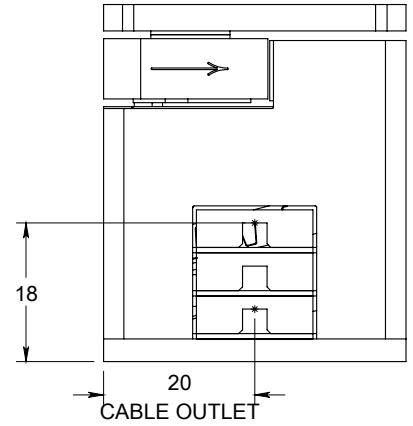
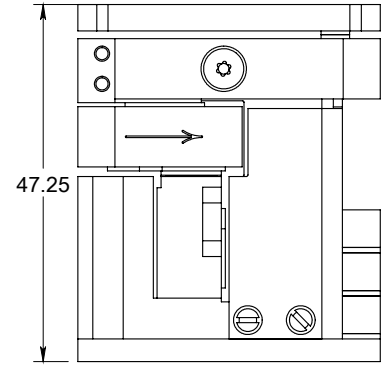
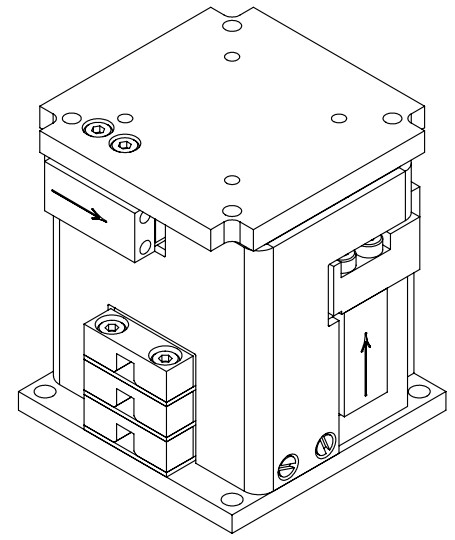


4X
M2.5X0.45 - 6H ∇ 3 MIN
CUSTOMER MOUNTING HOLES

4X \varnothing 2.9 THRU ALL
M2.5 STAGE MOUNTING HOLES



LINEAR TOLERANCES ARE:
.XX \pm .02
.X \pm .08
. \pm .15

ANGULAR TOLERANCES ARE:
 \pm .5°

UNLESS OTHERWISE NOTED, ALL UNITS ARE IN MILLIMETERS

THIRD ANGLE PROJECTION

nPoint, Inc.
3030 Laura Ln. Ste. 100
Middleton, WI 53562

Phone: (608) 824-1770
Fax: (608) 824-1774
www.npoint.com

APPROVALS		DATE	
DRAWN: NJE		04/10/2017	
DESCRIPTION			
nPCube - XYZ - 100um			
NUMBER	REV.	SHEET 1 OF 1	
3715464	A		