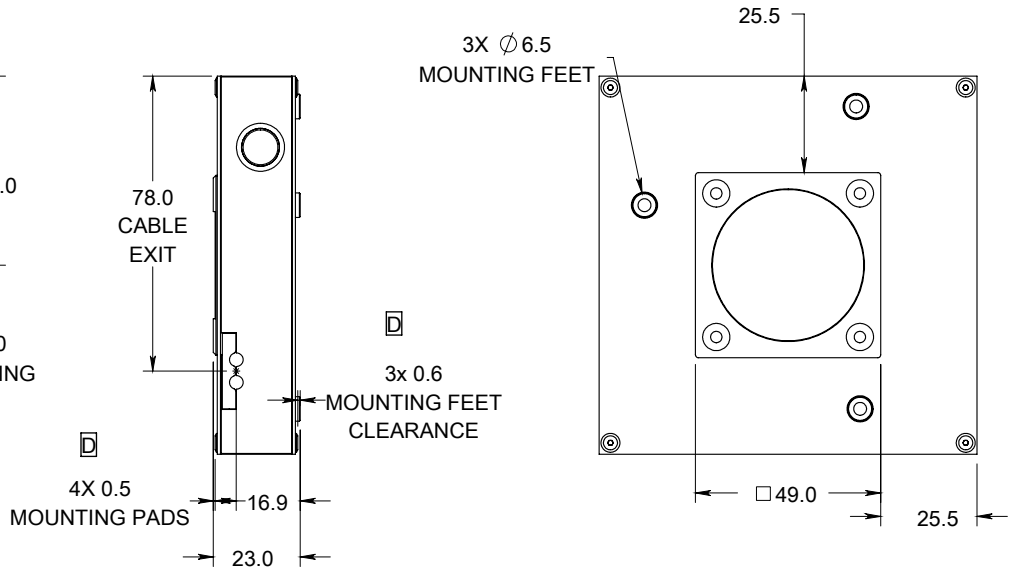
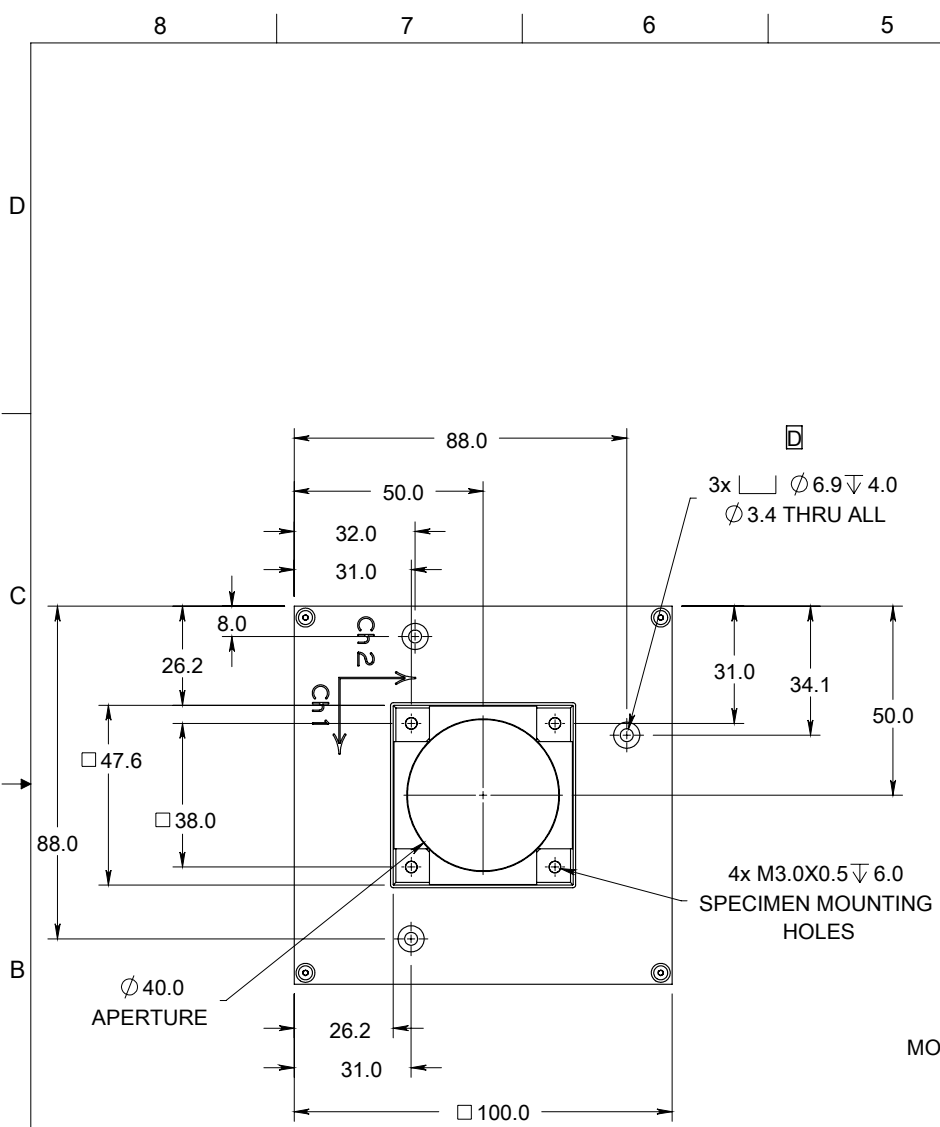


ZONE	REV	DESCRIPTION	DATE	BY	APPD
B2, B3, C3	D	MOUNTING PAD CLEARANCE AND FEET CLEARANCE INCREASED, BOTTOM COVER NOW HAS SQUARE CUTOUT FROM A CIRCULAR CUTOUT	1/22/2019	NJE	JF



UNLESS OTHERWISE NOTED, ALL UNITS ARE IN MILLIMETERS THIRD ANGLE PROJECTION	nPoint, Inc. 3030 Laura Ln. Ste. 100 Middleton, WI 53562 Phone: (608) 824-1770 Fax: (608) 824-1774 www.npoint.com	APPROVALS	DATE
		DRAWN: NJE	01-22-2019
DESCRIPTION 3715100 2-AXIS SCANNER 100um TRAVEL		NUMBER	REV.
		3715100	D
		SHEET 1 OF 1	