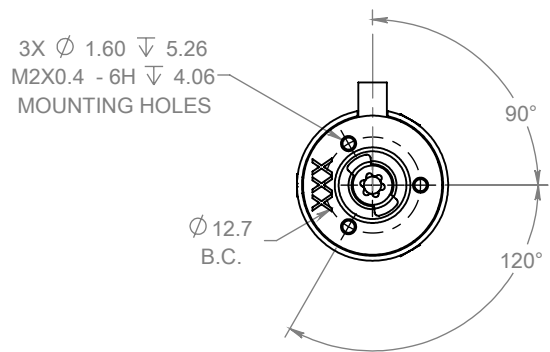
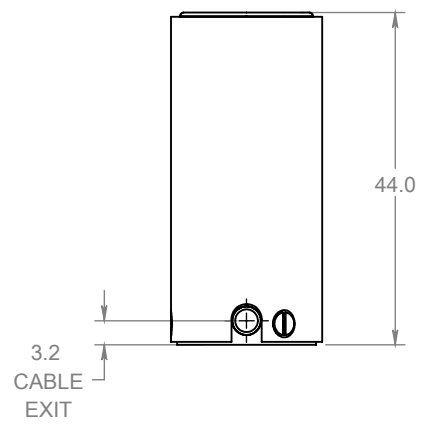
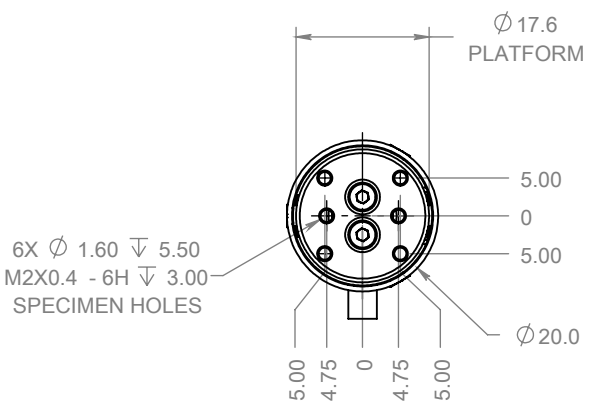



THE INFORMATION CONTAINED IN THIS DRAWING IS THE SOLE PROPERTY OF nPoint  
 ANY REPRODUCTION IN PART OR WHOLE WITHOUT WRITTEN PERMISSION IS PROHIBITED.



UNLESS OTHERWISE SPECIFIED DIMENSIONS ARE IN MILLIMETERS  TOLERANCES ARE: .XXX $\pm .02$ $\pm .5^\circ$ .XX $\pm .08$ .X $\pm .15$	 nPoint, Inc. 3030 Laura Lane Suite 100 Middleton, WI 53562  Ph: (608) 824-1770 Fx: (608) 824-1774 www.npoint.com	PART DESCRIPTION: NPZ25-206 1 - AXIS SCANNER, SUPER INVAR 25um TRAVEL	
		PART NUMBER 3715206	REV. A
DO NOT SCALE DRAWING CAD FILE: 3714206E STAGE - N-Z25-I-206.slddrw	SIZE A	SCALE 1:1	SHEET 2 OF 2