

8 7 6 5 4 3 2 1

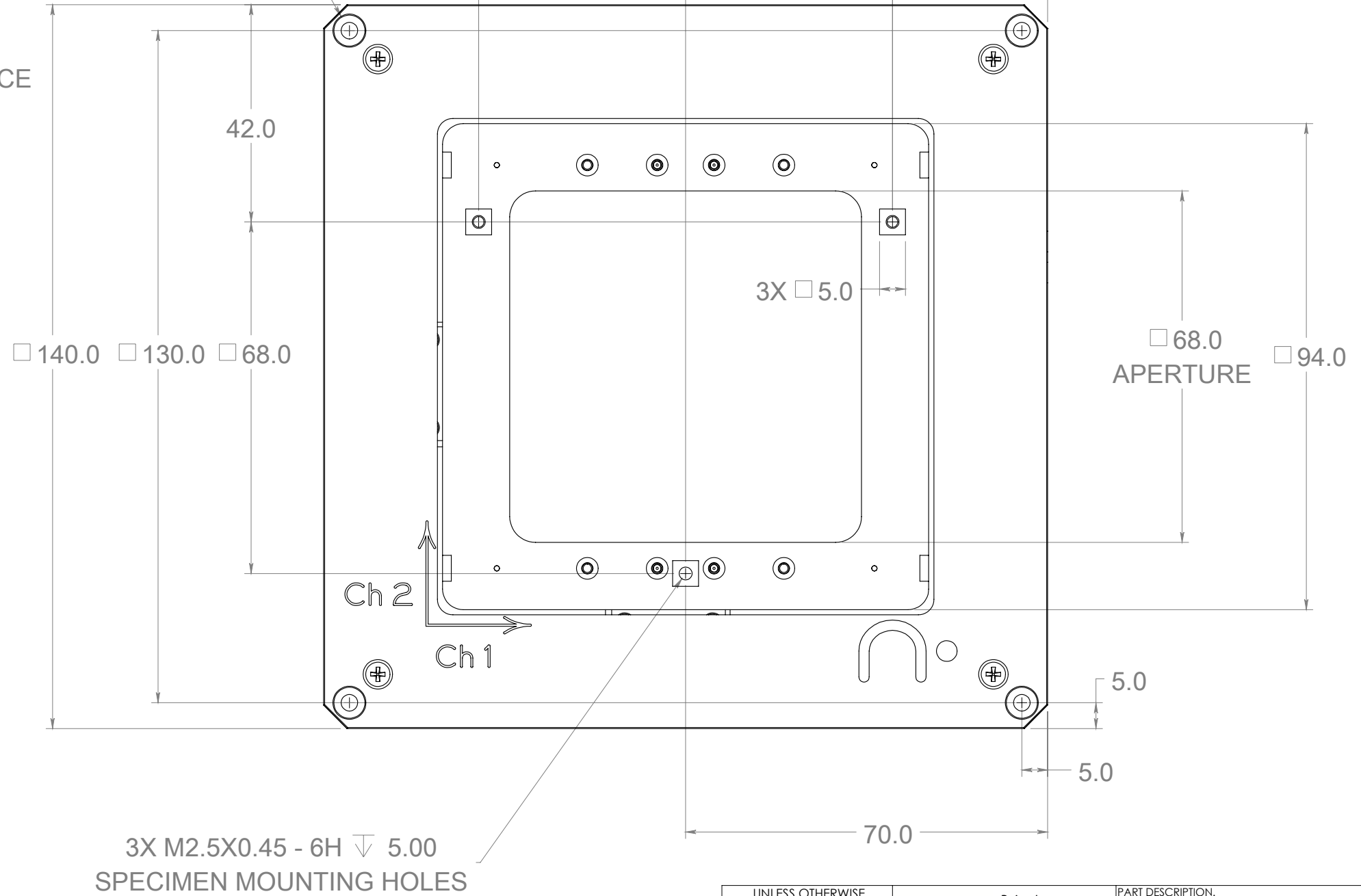
THE INFORMATION CONTAINED IN THIS DRAWING IS THE SOLE PROPERTY OF nPoint
 ANY REPRODUCTION IN PART OR WHOLE WITHOUT WRITTEN PERMISSION IS PROHIBITED.

D
C
B
A

D
C
B
A

4X $\phi 3.2 \nabla$ THRU ALL
 $\square \phi 6.0 \nabla 10.50$
 STAGE MOUNTING HOLES


0.30
 MOUNTING SURFACE



3X M2.5X0.45 - 6H ∇ 5.00
 SPECIMEN MOUNTING HOLES

34.0
 CABLE EXIT

18.7
 27.7
 38.3

UNLESS OTHERWISE SPECIFIED DIMENSIONS ARE IN MILLIMETERS		 nPoint, Inc. 3030 Laura Lane Suite 100 Middleton, WI 53562 Ph: (608) 824-1770 Fx: (608) 824-1774 www.npoint.com	PART DESCRIPTION NPXY200Z50-270 3-AXIS SCANNER XY 200um Z 50um TRAVEL	
TOLERANCES ARE: .XXX \pm .02 \pm .5° .XX \pm .08 .X \pm .15			PART NUMBER 3715270	REV. C
DO NOT SCALE DRAWING		SIZE B	SCALE 1:1	SHEET 1 OF 1
CAD FILE: 3715135 INSTALLATION DRAWING.slddrw				

8 7 6 5 4 3 2 1