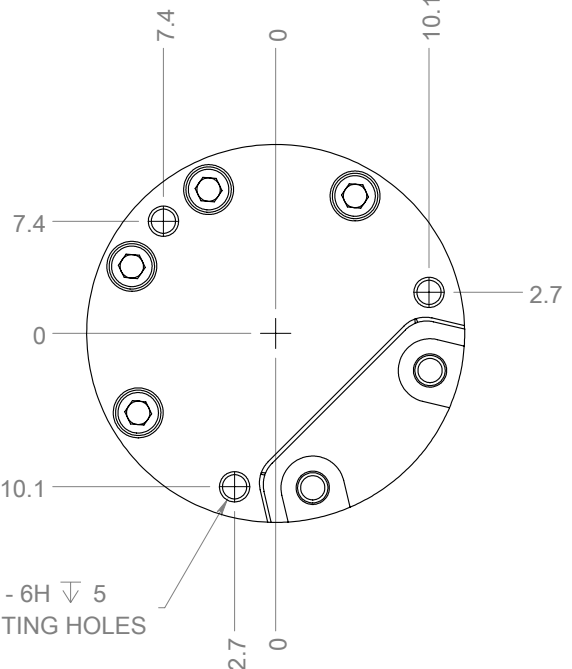


M2X0.4 - 6H ∇ 3  
TOP SAMPLE MOUNTING HOLE

35.1

0.3

∅ 25



3X M2X0.4 - 6H ∇ 2.5  
SIDE SAMPLE  
MOUNTING HOLES

∅ 6  
MOUNTING PLATFORM

3X M2X0.4 - 6H ∇ 5  
STAGE MOUNTING HOLES

120°

A

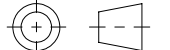
A

3.3  
WIRE OUTLET

32.8

**SECTION A-A  
SCALE 2 : 1**

UNLESS OTHERWISE NOTED,  
LINEAR TOLERANCES ARE:  
. ± .15  
ANGULAR TOLERANCES ARE:  
± .5°

UNLESS OTHERWISE  
NOTED, ALL UNITS ARE  
IN MILLIMETERS  
  
THIRD ANGLE PROJECTION

nPoint, Inc.  
3030 Laura Ln. Ste. 100  
Middleton, WI 53562  
Phone: (608) 824-1770  
Fax: (608) 824-1774  
www.npoint.com

APPROVALS		DATE	
DRAWN: DB		08/13/2015	
DESCRIPTION <b>RXY3-276 STAGE DESCRIPTION</b>			
NUMBER 3715276	REV. A	SHEET 1 OF 1	